

IM-CM2

SET UP AND OPERATION MANUAL

TABLE OF CONTENTS

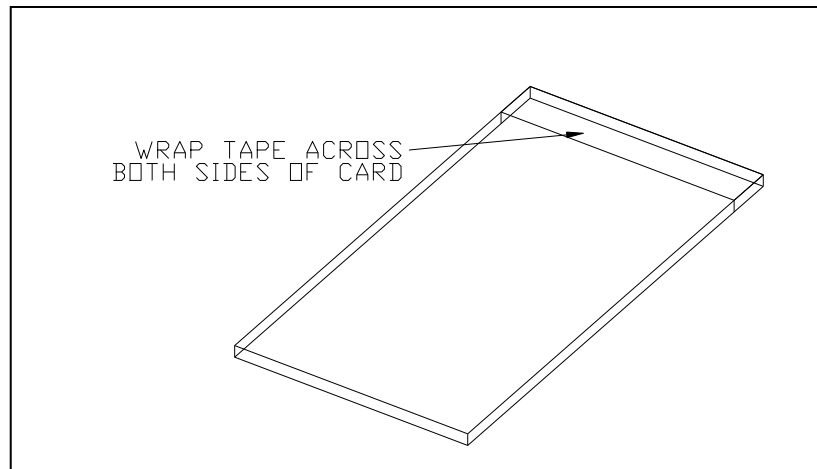
CARD THICKNESS ADJUSTMENT	2
LOADING / UNLOADING CARDS	3
CARDS JAM OR HESITATE	3
CARDS JAM OR HESITATE FLOW CHART	4
2-ROW CONTROL BOARD DIAGRAM	5
SERVICE LOG SHEET	6
MACHINE LOG SHEET	7

CARD THICKNESS ADJUSTMENT PROCEDURE

20 TO 30 MIL CARD ADJUSTMENT

1. With a hex wrench, turn the adjustment screw on the dispensing mechanism counter-clockwise until a card will not pass the adjustment mechanism.
2. To make a "test card" place (2) pieces of clear tape or (1) piece of electrical tape as shown below.
3. Place a "test card" tape first, in the bottom of the column you wish to adjust.

TEST CARD



4. Place the adjustment weight on top of the card
5. Add some money to the machine.

BEFORE GOING ANY FURTHER, READ THE INSTRUCTIONS BELOW!!!

6. Place the hex head wrench into the adjustment screw.
7. With the door open, you must temporarily bypass the door open switch to run the motor. With the motor running, turn the adjustment screw clockwise until a card is dispensed. It may take a few tries before a card is dispensed.
8. Once a card is dispensed, the column is properly adjusted.
9. Follow the procedure on the other columns.

10 MIL CARD ADJUSTMENT

1. Follow the procedure described above (20 to 30 MIL CARD ADJUSTMENT) except use a standard 10 mil card (without the tape) for testing.

LOADING / UNLOADING CARDS

You are now ready to start loading your cards. Once the cards are in the rows, place a weight on top of the stack. The weight should be in so that the word “front” is facing you, right side up.

In “**SERVICE**” mode, insert cash in the bill acceptor to make sure the correct number of cards are dispensed and the mechanism is functioning properly.

For unloading cards, a card hook is provided that allows for easy removal of the bottom-most cards.

CARDS JAM OR HESITATE DURING DISPENSING

1. Cards may be too thick or too thin. See “**Card Thickness Adjustment Procedure**” section of this manual.
2. Cards may be damaged. Remove damaged card and try again.

CARDS JAMMING OR HESITATING FLOW CHART

