

OPTIONS MANUAL

Set up and Operation Manual



1005 17th Street
Columbus, NE 68601
Service Dept. 1-800-795-8251
serv@technikmfg.com

MODEM / PRINTER MANUAL

TABLE OF CONTENTS

Laptop Computer Set-up	2
Printing to a laptop	3
Software Features	4
Serial Printer	5
Modem	6
Modem Commands	7
Report definitions	8 - 9
Serial Connections	10 - 12

Viewing Accounting information (Reports):

This accounting report includes: vending machine information (date, serial number, and location), vending machine accounting information, the status of the vending machine, and a receipt type report.

Portable printer:

An optional portable printer is offered from Technik. With a portable printer you are able to print the accounting information directly from the vending machine.

Laptop:

If you have a laptop with a serial port and your vending machine is equipped with a "com port" you are able to view the accounting information on the laptop screen.

Local:

This method requires a portable printer or laptop with TMI software at the vending machine to receive the information. The report includes vending machine information, vending machine accounting, the status of the vending machine, and a receipt type report.

Remote:

This method requires a modem and a PC to initiate a call to the vending machine. The report includes vending machine information, vending machine accounting, and the status of the vending machine. See page 6 for modem set-up.

LAPTOP DIRECT CONNECT

For use with a laptop, a file must be created to communicate with the vending machine. This is done through the hyper terminal accessory found in your Windows desktop. There are a number of ways of starting hyper-terminal, in general though, it requires selecting START, PROGRAMS, ACCESSORIES, COMMUNICATIONS, HYPER TERMINAL, then double click **HYPERTRM.EXE**.

At this point you will be prompted to enter name and select an icon. This is done to save the following settings for future use. After this is done you will be prompted for a phone number. **DO NOT ENTER A NUMBER!!**

Below this field will be a "Connect Using" field. Click on the down arrow to the right side, scroll down and select "**Direct to Com 1**" by clicking on it.

Once this is done, a "**Com 1**" properties screen appears. **Change the Com 1 properties** to the following settings.

Bits per second - - - - - - - - - - -9600 **OR** 2400
Data bits - - - - - - - - - - - - - - - 8
Parity - - - - - - - - - - - - - - - -None
Stop Bits - - - - - - - - - - - - - - - -1
Flow Control - - - - - - - - - - - - - -None

Select OK when all the settings are correct. Now a screen should appear indicating the icon and name chosen earlier followed by Hyper-Terminal.

BEFORE CONTINUING, connect a female 9-pin cable at the modem board in the vending machine. This board will be located as shown in sketches near the end of this manual or on the control bar for various machines. When dual connectors are in your machine, the J1 connector is normally used.

Connect the opposite end of this cable to the **COM** port on your laptop computer.

PRINTING TO COMPUTER SCREEN

To print a summary and column history report to the computer screen, press PS, then enter. The report produced will be similar in format to the following. (See definitions pgs. 7-8)

Vending Summary 09:25 4/3/2002
 Period beginning 18:51 4/1/2002

TMI Factory
 Unit # GM0102025

	Cash	Product
Period total	0.00	0
Day		
Current	0.00	0
Last	0.00	0
Previous	0.00	0
Week		
Current	40.00	40
Last	0.00	0
Previous	0.00	0
Month		
Current	0.00	0
Last	0.00	0
Previous	40.00	40
Year		
Current	40.00	40
Last	0.00	0
Previous	0.00	0
Life Total	40.00	40
Installed	1/6/2002	

Column	Price	Period	Lifetime	Stock
A -OK-	2.00	0	5	0
	0.00			
B -OK-	5.00	0	5	0
	0.00			
C -OK-	10.00	0	5	0
	0.00			
D -OK-	50.00	0	5	0
	0.00			
E -OK-	2.00	0	5	0
	0.00			
F -OK-	5.00	0	5	0
	0.00			
G -OK-	10.00	0	5	0
	0.00			
H -OK-	50.00	0	5	0
	0.00			

To save report for future printing, use the edit menu and select ALL then save to a word processing file with name of your choice.

SOFTWARE FEATURES

Machine Serial Number:

To display, press DS and enter. To set, press SS, then space, then number as shown in machine or on label.

Machine Date:

To display, press DD, and enter. To set, press SD, space, then date in format MM:DD:YY_D. (Last D is day of week relative to the start of the accounting week. When the machine time is set using a laptop, the day of the week selected determines the accounting week start at 00:00:01 of Day 1)

Machine Time (24 hr clock):

To display, press DT and enter. To set, press ST, space, then time in format HH:MM:SS.

Location Name:

To display, press DL and enter. To set, press SL, space, then enter unique location name. (up to 30 characters)

Location Code:

To display, press DN and enter. To set, press SN, space, then enter a unique location code or number.

Report Footer:

To display, press DF and enter. To set, press SF, then the message. (up to 40 characters)

SERIAL PRINTER

Technik Mfg., Inc. typically uses a dot matrix type printer. The Serial connection between the printer and the vending machine is normally 9600 baud and should already be set at the factory. (A separate data sheet may be supplied.) If the printer does not function properly see the appropriate page of the “**Printer User’s Manual**” for baud rate selection. The chart will indicate settings for a variety of baud rates.

Before continuing, it is strongly recommended that the “**Printer User’s Manual**” be read completely. This manual contains very important operation instructions and should be reviewed.

A DB9 to DB25 printer cable is provided along with each printer purchased as an option. The DB9 end of the printer cable is to be connected to the printer board. The location of the printer board may vary from one model vending machine to another. (See pages 9-10 for approximate location) Please call 800-795-8251 if unsure of the printer board location.

Connect the DB25 end of the printer cable to the printer. To receive a formatted report, press the “**Clear**” button on the main control bar/board. Note that the “**SEL**” indicator light on the printer must be on so that the printer will receive information.

To Initiate a Local Report at the Vending Machine:

1. Put the machine in the “**VEND**” mode (selector switch on the control bar/board).
2. Press the “**CLEAR COUNT**” or “**SET**” button (located on the control bar/board).
3. The **LCD** should indicate that the vending machine is printing a report.

Vending Report

	Price	(NR Count)	Count
Cash		(080)	0
Col A	10.00	(010)	0
Col B	20.00	(010)	0

NOTE

Machines manufactured by Technik Mfg., Inc. will print a report similar in format to that shown on page 3.

MODEM

For use with a laptop, a file must be created to communicate with the vending machine. This is done through the hyper terminal accessory found in your Windows desktop. There are a number of ways of starting hyper-terminal, in general though, it requires selecting START, PROGRAMS, ACCESSORIES, COMMUNICATIONS, HYPER TERMINAL, then double click **HYPERTRM.EXE**.

At this point you will be prompted to enter a name and select an icon. (Example "Machine # 1") This gives the capability to save the following settings for future use. After this is done you will be prompted for a phone number. Enter the phone number of the vending machine. If a number needs to be dialed to reach an outside telephone extension you can achieve this by dialing the number for the outside extension followed by two commas and then the telephone number.

Below the phone number field will be a "Connect Using" field. Click on the down arrow to the right side, scroll down and select the Com port used for the laptop modem.

Once this is done, a "Com X" properties screen appears. **Change the Com X properties** to the following settings.

Bits per second - - - - -9600 **OR** 2400
Data bits - - - - - 8
Parity - - - - -None
Stop Bits - - - - -1
Flow Control - - - - -None

Select **OK** when all the settings are correct. Now the Connect screen will appear. Click on the dial icon. The Hyper Terminal screen will go blank once connection to the vending machine is complete.

To print a summary and column history report, to an attached computer press PS, and then enter. It will be in a format similar to that shown on page 3.

MODEM COMMANDS

In addition to the commands on page 4 there are other commands that are useful if using a modem to connect to a machine instead of direct connecting with a laptop.

The TMI software has the capability of allowing the vending machine to dial a remote computer to send a daily report or also to inform of errors.

In order to allow the computer to accept incoming calls, the following command must be entered in hyper-terminal while connected to the machine.

Allow Incoming Calls: ats0=1
Prohibit Incoming Calls: ats0=0

Primary Phone Number: Phone number for machine to call to send a daily report.
To display, press DP and enter. To set, press SP, space, then the number.
(Example: SP 9999999999)

Report Dial Time (24 hr clock): Time the machine dials to send daily report.
To display, press DR and enter. To set, press SR, space, then time in format HH:MM:SS.

Alert Phone Number: Phone number for machine to call when an error occurs. (This can be the same or different phone number than the Primary Phone Number.)
To display, press DA and enter. To set, press SA, space, then the number.
(Example: SA 9999999999)

The alert phone number must be enabled in order to function properly.

To set the machine to dial out on errors, enter the following: **se alert, on**
To set the machine to not dial out on errors, enter the following: **se alert, off**

Ring for Modem to Answer on:

To display, press DG and enter. To set, press SG, space, then a number from 1 to 6.

REPORT DEFINITIONS

Vending Summary:

A date and time should be shown here. The date should be the day the report was printed. If this is not accurate the date can be changed using a laptop.

Period Beginning:

The date shown here should be the last time and day the machine counts were cleared.

Period:

The old period ends and a new period begins, when the period counters are cleared (the procedure to clear counts can be found in the main vending machine operators manual).

Cash:

The amount of cash the vending machine has accepted.

Product:

The number of cards dispensed.

Life Total:

This value is the accounting information since the machine was last initialized.

Installed:

This date is set when the machine is initialized. Only initialize the machine when necessary, as the accounting information will be lost when initialized.

Column Definition:

The columns are lettered starting on the left (facing the front of the vending machine) - upper left if there are multiple levels. Adjacent to the column designation, in the accounting report, there will be a column status indicator. There are three possible states: **OK** – column is operable and ready to vend; **DN** – column has failed to feed (or sold out); **SO** – column is sold out

Price:

The price set per card/ticket in each column.

Lifetime:

The total number of cards/tickets dispensed since the vending machine was last initialized.

Week Beginning Day:

The week beginning day is the first day in the accounting week. If the vending machine is set to “**Monday**” and a report is generated on Wednesday, the “**Week**” accounting information would only include three days of information. (See Machine Time on page 4.)

DAY

Current:

The accounting information is from 12:00 a.m. until the report is printed or viewed.

Last:

The accounting information for one day prior to the current day.

Previous:

The accounting information for two days prior to the current day.

WEEK

Current:

The accounting information is from the “**Week Beginning Day**” until the report is printed or viewed.

Last:

The accounting information for one week (seven days) prior to the current week.

Previous:

The accounting information for two weeks (fourteen days) prior to the current week.

MONTH

Current:

The accounting information for “**Month**” is from the first day of the month until the report is printed or viewed.

Last:

The accounting information for one calendar month prior to the current month.

Previous:

The accounting information for two calendar months prior to the current month.

YEAR

Current:

The accounting information for “**Year**” is from January 1st until the report is printed or viewed.

Last:

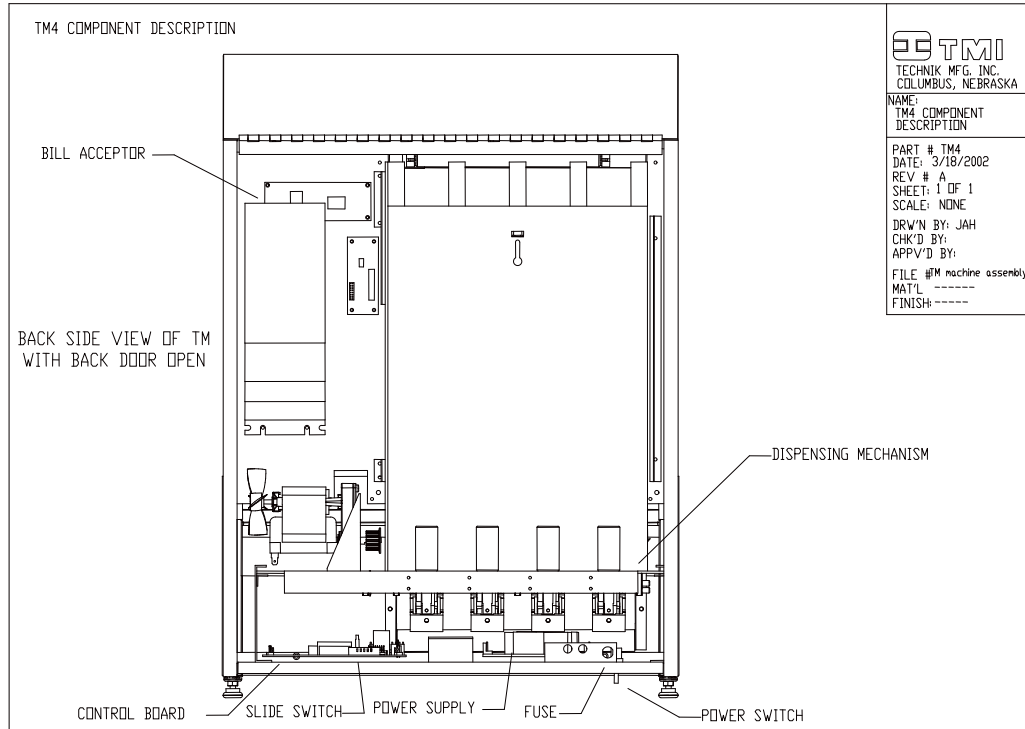
The accounting information for one calendar year prior to the current year.

Previous:

The accounting information for two calendar years prior to the current year.

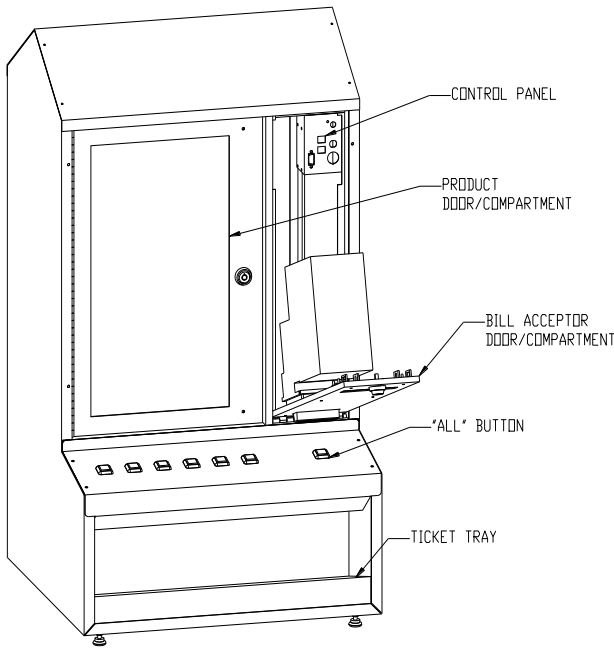
SERIAL CONNECTION LOCATIONS

Ticketmaster – located between power supply and back of cabinet.



TM 6 - located on control panel

REVISION HISTORY:



TMI
 TECHNIK MFG. INC.
 COLUMBUS, NEBRASKA

NAME:
 TM6 MACHINE
 COMPONENTS DIAG.

PART # TM6 prototype
 DATE: 1/25/2002
 REV # A
 SHEET: 1 OF 1
 SCALE: NONE

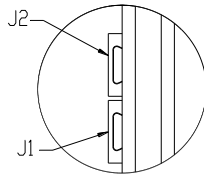
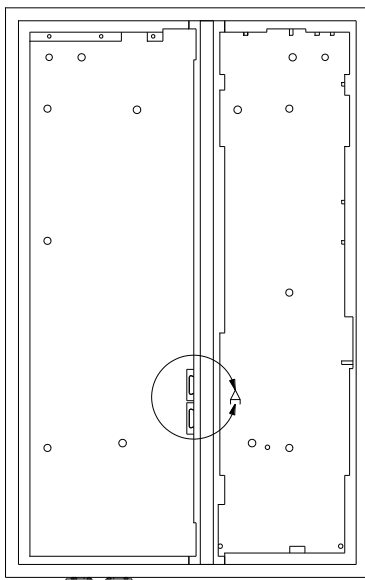
DRW'N BY: KEC
 CHK'D BY:
 APPV'D BY:

FILE #TM6 prototype
 MAT'L:
 FINISH:

SERIAL CONNECTION LOCATIONS

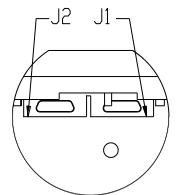
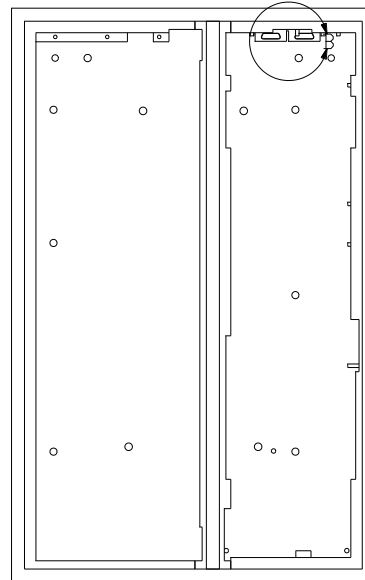
CM type machines – located on right side of product compartment typically & may be oriented horizontally or vertically. (Older and some current versions will have a tandem type DB 9 connector. Use J1 connector normally.) On products using a narrow cabinet, the connector(s) will be in the top or on the control panel in the BA compartment.

CM



DETAIL A
 SCALE 1 : 2

CM-2N



DETAIL B
 SCALE 1 : 2

GRANDMASTER BASE – located on electronic panel cover.

